

1/2" Pex x 3/4" Hose Frostproof Sillcock with Vaccum Breaker



TECHNICAL DATA

DESCRIPTION:
1/2" Pex X 3/4" Hose Frostproof Sillcock with Vacuum Breaker X 4"

CONSTRUCTION:
Brass Body, HPB62 Copper Rod and Tube, Steel Gasket and Spring, AL/Nylon Handle Wheel

FEATURE:
400 WOG, 125 WSP
Temperature Range: -20°F - 200 °F
Solder ends comply with ANSI B16.18
Thread ends comply with ANSI B1.20.1
Designed for residential use with oil, gas or air

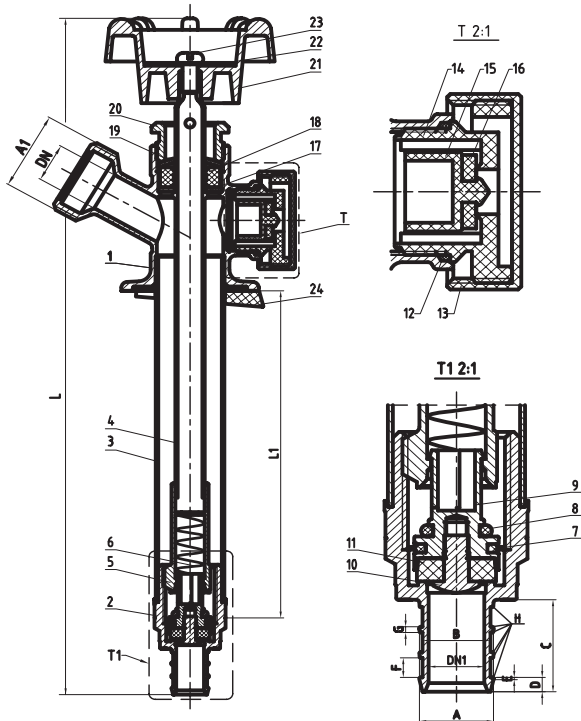
CODE APPROVALS:
CSA Listed. Complies w/ NSF-61

PART#	DESCRIPTION	FINISH
SC-FP-PEX-4	1/2" Pex x 3/4" Hose Frostproof Sillcock with Vaccum Breaker X 4"	Chrome



Country of origin: China

ROUGH IN DRAWING



Size	A	B	C	D	E	F	G	H	DN1
1/2" PEX	Φ12	Φ11	16	2.2	0.4	3.5	0.9	R0.2	Φ9

Size	A1	DN	L	L1
1/2" Pex x 3/4" Hose Frostproof Sillcock with Vaccum Breaker X 4"	3/4" NHM	Φ13	220	101.5

24	Instal Panel	POM	1	Surface Plain
21	Hand Wheel	AL/Nylon	1	Surface Sprag
20	Pressed	C37710	1	M22xΦ16x13.5
19	Gasket	Steel	1	Surface Plain
18	Sealing Plate	NBR	1	Φ17.5xΦ9.5x7
17	Gasket	Steel	1	Surface Plain
16	Sealing Plate	NBR	1	Φ13.5xΦ3.5x2.3
15	Spool	Nylon	1	Surface Plain
14	Exhaust Plastic Body	POM	1	Surface Plain
13	Lock Cap	ABS	1	Chrome
12	O-ring	NBR	1	Φ22xΦ2
11	Spool Gasket	Viton	1	Φ13xΦ4.5
10	Screw	Steel	1	M4x10
9	Spool	C46500	1	Surface Plain
8	O-ring	EPDM	1	Φ11xΦ2
7	Vacuum Pad	Viton	1	Φ15.5x0.5
6	Spring	Steel	1	50xΦ0.35
5	Copper Rod Connector	C46500	1	Surface Plain
4	Copper Rod	HPB62	1	Surface Plain
3	Copper Tube	HPB62	1	Chrome
2	Bonnet	C46500	1	Chrome
1	Body	C46500	1	Chrome
No.	Item	Material	Qty	Notes

ALL DIMENSIONS SHOWN ARE NOMINAL

Meets requirements for NSF-61